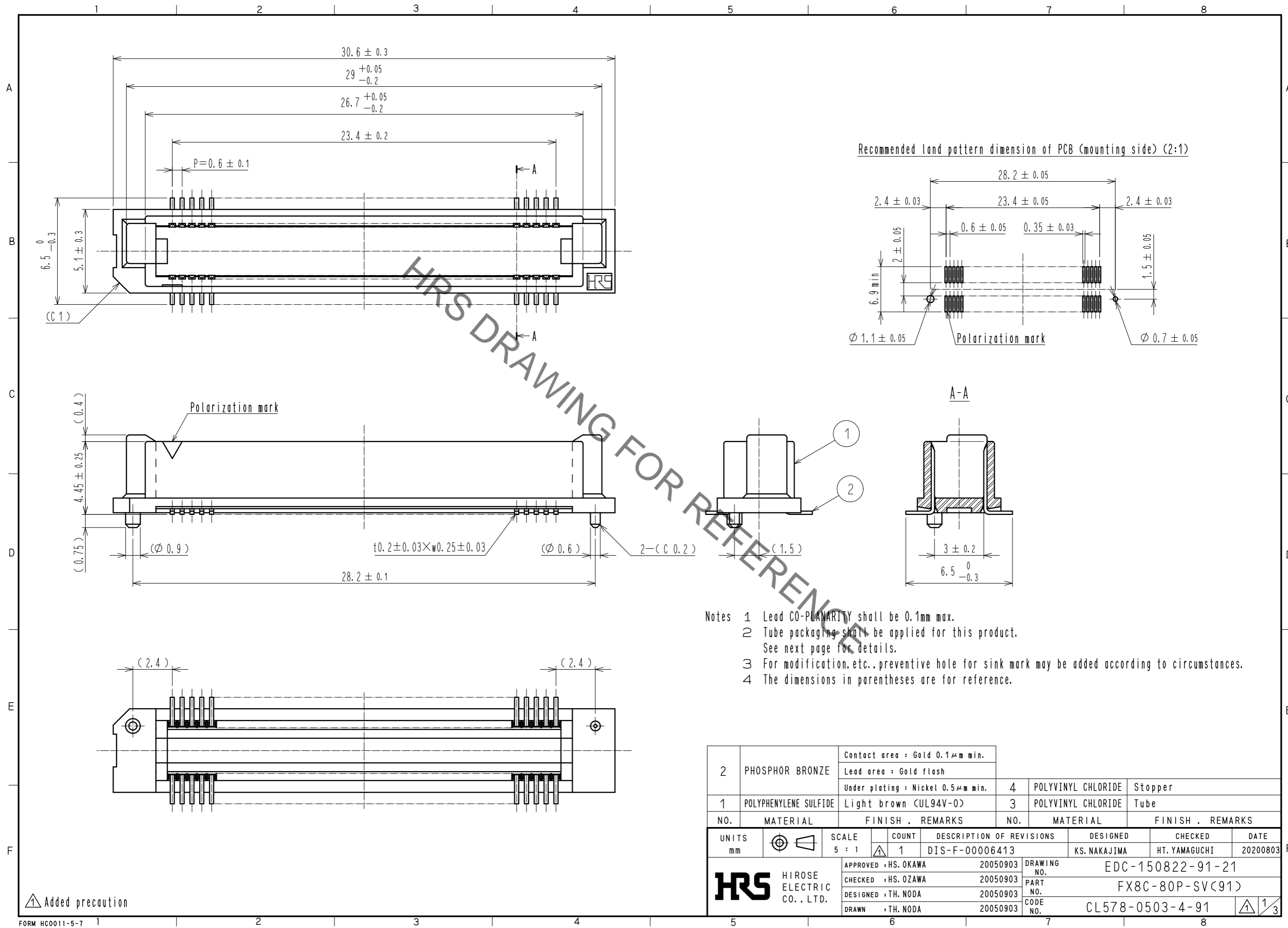


Sep.1.2020 Copyright 2020 HIROSE ELECTRIC CO., LTD. All Rights Reserved.
In case of consideration for using Automotive equipment / device which demand high reliability, kindly contact our sales window correspondents.

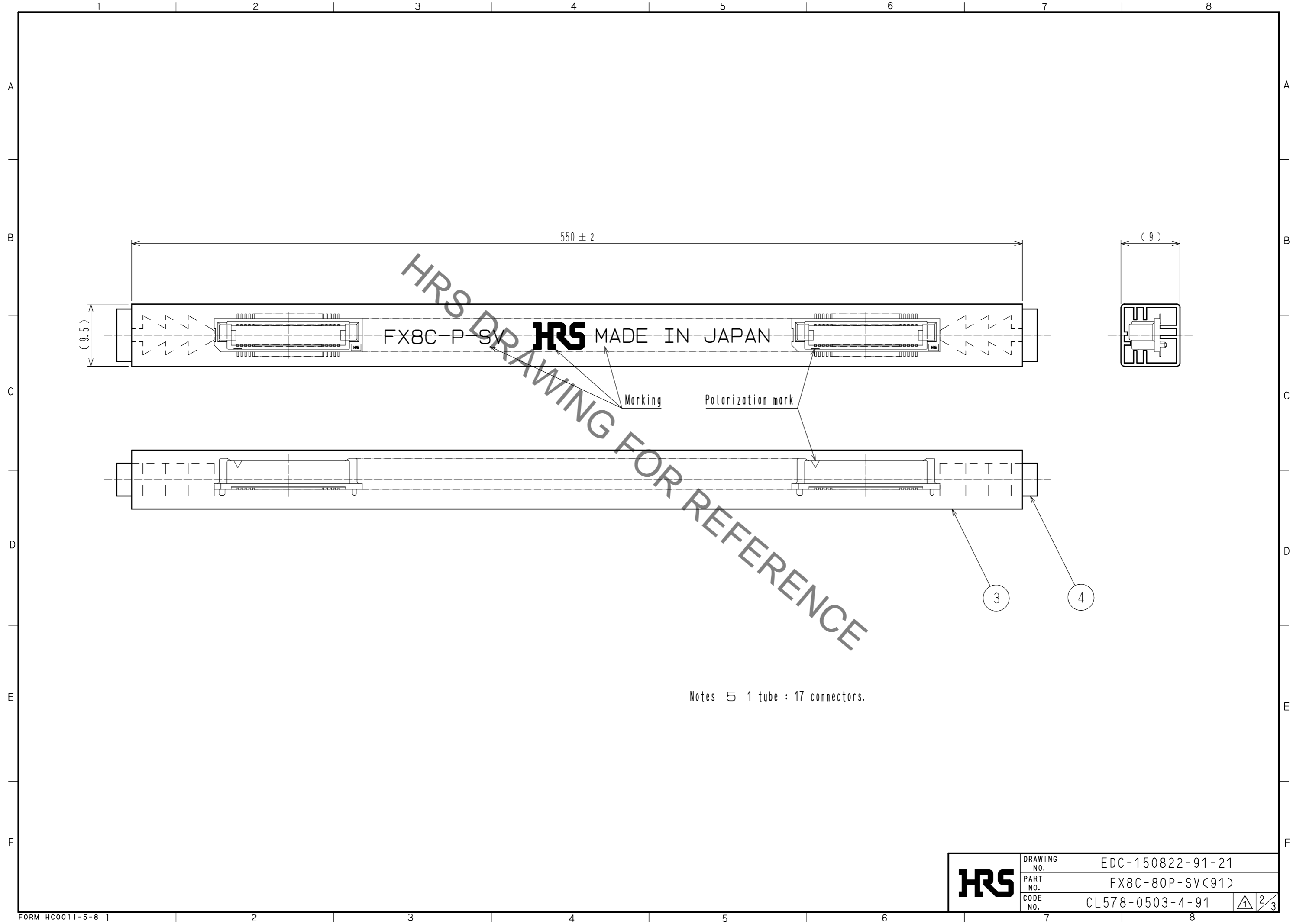


- Notes
- 1 Lead CO-PLANARITY shall be 0.1mm max.
 - 2 Tube packaging shall be applied for this product. See next page for details.
 - 3 For modification, etc., preventive hole for sink mark may be added according to circumstances.
 - 4 The dimensions in parentheses are for reference.

2	PHOSPHOR BRONZE	Contact area : Gold 0.1μm min.	4	POLYVINYL CHLORIDE	Stopper		
		Lead area : Gold flash			Tube		
1	POLYPHENYLENE SULFIDE	Under plating : Nickel 0.5μm min.	3	POLYVINYL CHLORIDE	Tube		
		Light brown (UL94V-0)					
NO.	MATERIAL	FINISH . REMARKS	NO.	MATERIAL	FINISH . REMARKS		
UNITS mm		SCALE 5 : 1	COUNT 1	DESCRIPTION OF REVISIONS DIS-F-00006413	DESIGNED KS. NAKAJIMA	CHECKED HT. YAMAGUCHI	DATE 20200803
HRS HIROSE ELECTRIC CO., LTD.		APPROVED : HS. OKAWA	20050903	DRAWING NO. EDC-150822-91-21			
		CHECKED : HS. OZAWA	20050903	PART NO. FX8C-80P-SV(C91)			
		DESIGNED : TH. NODA	20050903	CODE NO. CL578-0503-4-91			
		DRAWN : TH. NODA	20050903				

Added precaution

Sep.1.2020 Copyright 2020 HIROSE ELECTRIC CO., LTD. All Rights Reserved.
In case of consideration for using Automotive equipment / device which demand high reliability, kindly contact our sales window correspondents.



Notes 5 1 tube : 17 connectors.

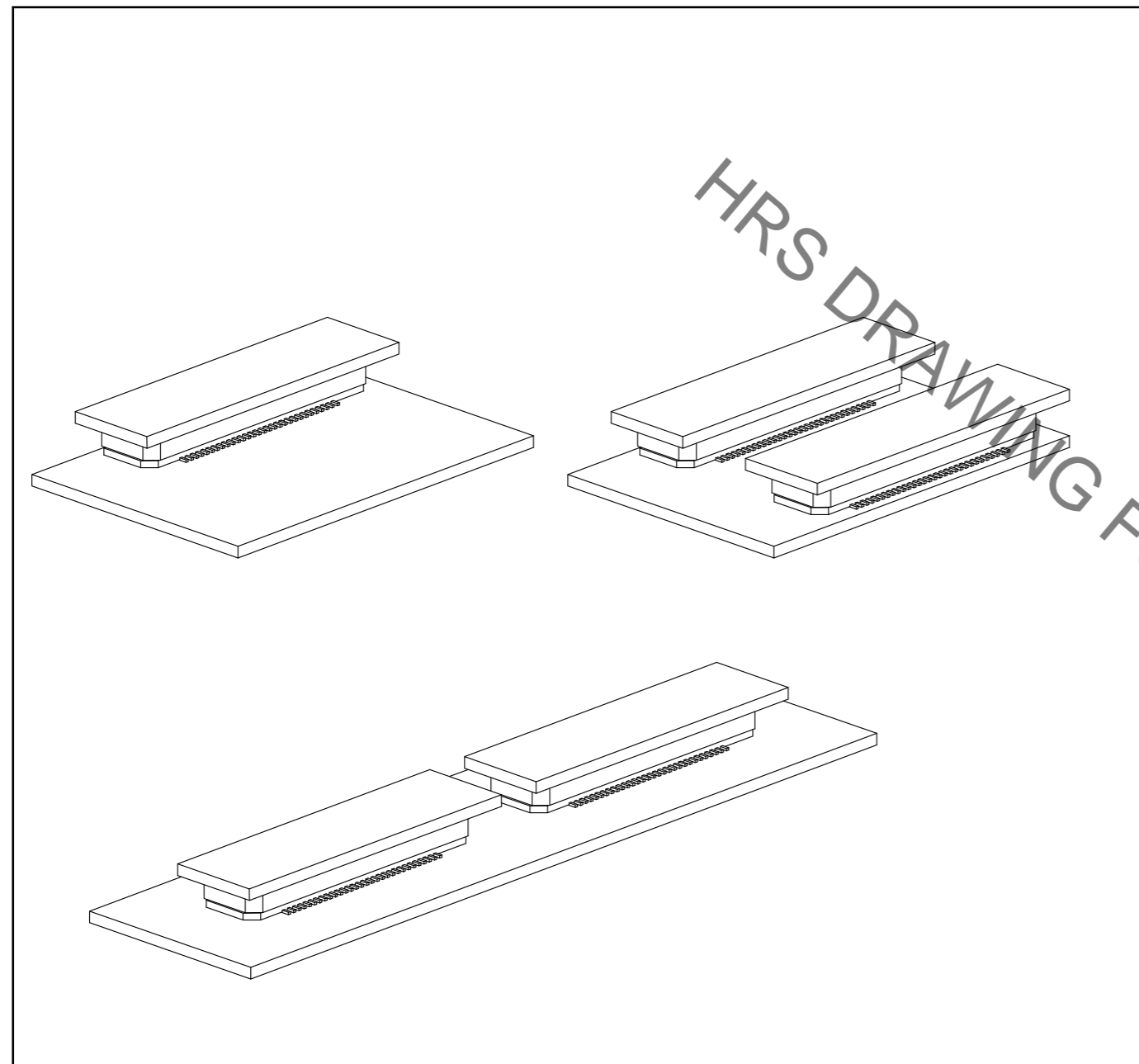
HRS	DRAWING NO.	EDC-150822-91-21
	PART NO.	FX8C-80P-SV(91)
	CODE NO.	CL578-0503-4-91
		2/3

In case of consideration for using Automotive equipment / device which demand high reliability, kindly contact our sales window correspondents.

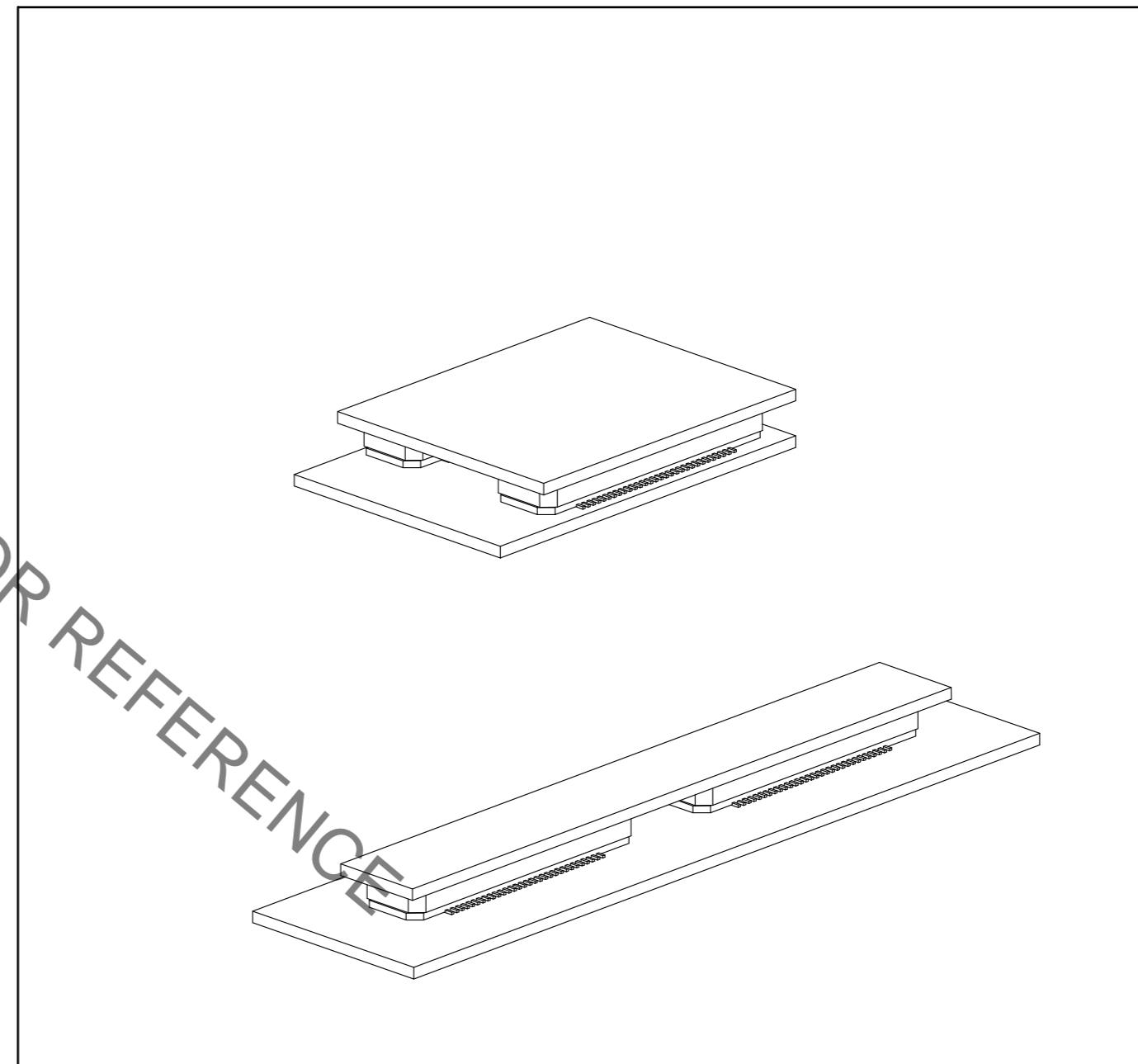
【 Precaution 】

When a board with multiple connectors mounted is mated, the connector may be damaged or deformed.
Please divide one side of the board so only one connector is mated per board.

OK



NG



HRS DRAWING FOR REFERENCE

HRS	DRAWING NO.	EDC-150822-91-21
	PART NO.	FX8C-80P-SV(91)
	CODE NO.	CL578-0503-4-91